

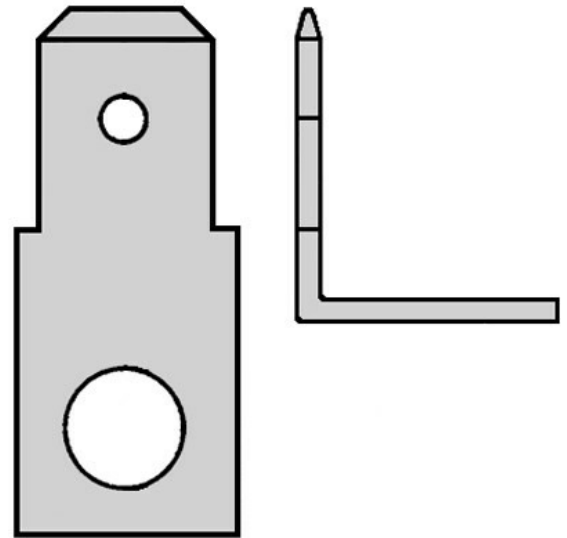
Klemko Techniek B.V.
Phone: +31 (0)880023300
E-mail: info@klemko.nl

klemko®

Tab voor Vlakstekkerhulzen

Package type: BX á 100 pce

/productimages/215385.jpg



PRODUCT SPECIFICATIONS:

Model	Plug
Plug dimensions	Flat 6.3x0.8 mm
Insulation	Not isolated
Material	Copper
Surface protection	Tinned
No	
(mm)	19
(mm)	8
(mm)	4.3
(mm)	4.3
(mm)	8
(°)	90
8	
Yes	
No	
(°C)	120
1	
11.5	
Reel/roll packaging	No