

Klemko Techniek B.V.
Phone: +31 (0)880023300
E-mail: info@klemko.nl

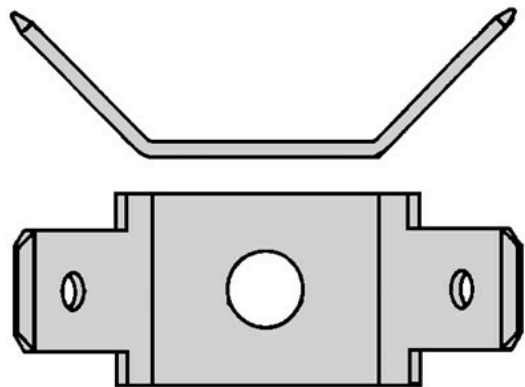
klemko®

215490 - B63045482-HM

Tab voor Vlakstekkerhulzen

Package type: BX á 100 pce

/productimages/215490.jpg



PRODUCT SPECIFICATIONS:

Model	Plug
Plug dimensions	Flat 6.3x0.8 mm
Insulation	Not isolated
Material	Copper
Surface protection	Tinned
No	
(mm)	12
(mm)	10
(mm)	4.3
(mm)	4.3
(mm)	8
(°)	45
10	
Yes	
No	
(°C)	120
12	
Reel/roll packaging	No